



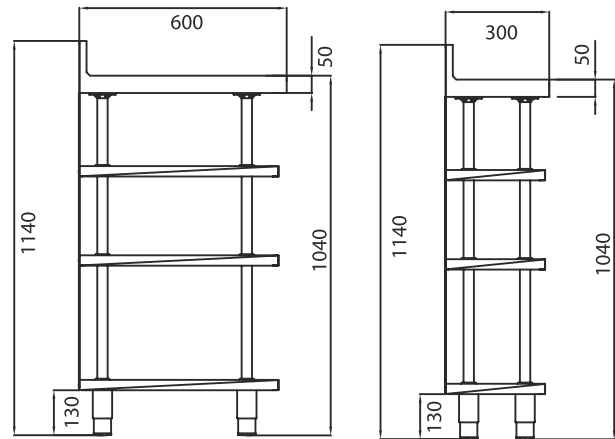
## Peto mural / Back splash



- Estantes, respaldo y columnas en acero inox AISI 304
- Separación entre estantes de 330, 225 y 200 mm [ME]
- Para medidas especiales de largo en modelos ME consultar con fábrica
- Shelves, back sides and supports of AISI 304 stainless steel
- Space between shelves of 330, 225 and 200 mm [ME]
- For special length measurements, consult our factory

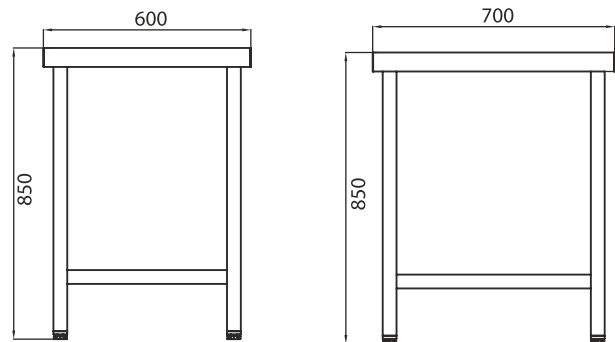
## Mueble estantería / Shelf unit

MOD.	→ ↗ ↑		☰ Estantes Shelving
	Dimensiones Dimensions LxFxH (mm)		
ME 30/1000	1000x300x1050		3
ME 30/1500	1468x300x1050		3
ME 30/2000	1960x300x1050		3
ME 30/2500	2452x300x1050		3
ME 60/1000	1000x600x1050		3
ME 60/1500	1468x600x1050		3
ME 60/2000	1960x600x1050		3



## Mesa de trabajo / Working table

MOD.	→ ↗ ↑	
	Dimensiones Dimensions LxFxH (mm)	
MT 60/1000	1000x600x850	
MT 60/1500	1500x600x850	
MT 60/2000	2000x600x850	
MT 70/1000	1000x700x850	
MT 70/1500	1500x700x850	
MT 70/2000	2000x700x850	



## Opcional / Optional

- Cajón auxiliar / Additional drawer 600 [CAJMT60]
- Cajón auxiliar / Additional drawer 700 [CAJMT70]
- Incremento peto mural / Increase for splash blak 1000
- Incremento peto mural / Increase for splash blak 1500
- Incremento peto mural / Increase for splash blak 2000



# Shelf unit and working table

Serie  
**ME / MT**  
Series

MESAS  
UNDERCOUNTERS

ME 30/2000



MT 60/1500



ME 30/1000

ME 30/1500

ME 30/2000

ME 30/2500



ME 60/1000

ME 60/1500

ME 60/2000

ME 60/2500



MT 600x1000

MT 600x1500

MT 600x2000

MT 700x1000

MT 700x1500

MT 700x2000

Fotografías no contractuales / Non contractual pictures.

Características técnicas y constructivas sujetas a variación sin previo aviso / We reserve the right to change specifications without prior notice.

Los datos técnicos están sujetos a posibles variaciones que serán actualizadas periódicamente en las fichas técnicas del producto, disponibles en la web.

The technical data are subject to possible variations that will be updated periodically in the technical data sheets of the product, which are available on the website.

